



## GLO-RAY® DESIGNER BUFFET WARMERS

Models GR2BW-24, -30, -36, -42, -48, -54, -60, -66, -72

Hatco Glo-Ray *Designer* Buffet Warmer is designed to safely keep food at optimum serving temperatures.

Combining state-of-the-art design with performance, these buffet warmers place the focus on the product while holding and protecting food. The modern design is perfect for front-of-the-house use, with *Designer* powdercoating that blends into any décor.

### FLEXIBILITY

Ideal for holding hot food at kitchen work areas, waitress pick-up stations, or customer serving points.

The *Designer* series warmers come standard with black inset panels. Choose from five other color options to blend the warmer with any décor, or chose a unit in one of six solid colors.

### QUALITY

The following features assure the finest performance for years to come:

- Choose from six *Designer* color inset panels that enhance any décor, with the option of an entire unit in color as well.
- All models feature a thermostatically-controlled hardcoated heated base to extend the holding times of most food, and a 6' (1829 mm) cord and plug set.
- Prefocused infrared top heat bathes entire holding surface, especially the edges where heat loss is the greatest.
- Shatter-resistant incandescent lights enhance product display while safeguarding food products from bulb breakage.
- Sturdy acrylic breath protectors provide a safe environment when serving food.



Model GR2BW-30 with *Designer* color inset panels and accessory food pans



Model GR2BW-30 in optional *Designer* color with accessory food pans



METAL SHEATHED HEATING ELEMENTS GUARANTEED AGAINST BURNOUT AND BREAKAGE FOR TWO YEARS, BLANKET ELEMENTS FOR ONE YEAR.



HATCO CORPORATION P.O. Box 340500 Milwaukee, WI 53234-0500 U.S.A.  
 (800) 558-0607 • (414) 671-6350 • Fax (800) 543-7521 • Int'l. Fax (414) 671-3976  
[www.hatcocorp.com](http://www.hatcocorp.com) • E-mail: [equipsales@hatcocorp.com](mailto:equipsales@hatcocorp.com)

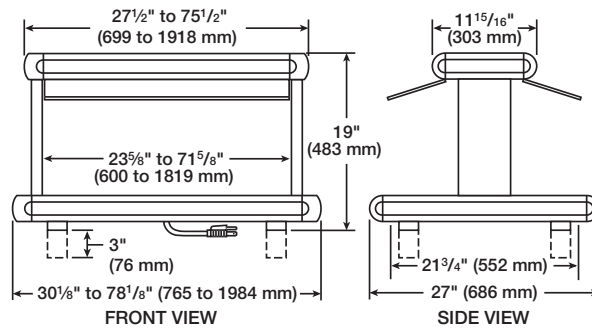
Form No. GR2BW Spec Sheet

Printed in U.S.A.  
 September 2007



# GLO-RAY® DESIGNER BUFFET WARMERS

Models GR2BW-24, -30, -36, -42, -48, -54, -60, -66, -72



## SPECIFICATIONS

Model <sup>▲</sup>	Watts	Width	Shipping Weight
GR2BW-24	970	30⅞" ( 765 mm)	76 lbs. (34 kg)
GR2BW-30*	1230	36⅞" ( 918 mm)	85 lbs. (39 kg)
GR2BW-36	1470	42⅞" (1070 mm)	97 lbs. (44 kg)
GR2BW-42*†	1790	48⅞" (1222 mm)	110 lbs. (50 kg)
GR2BW-48†	2040	54⅞" (1375 mm)	125 lbs. (57 kg)
GR2BW-54*†	2290	60⅞" (1527 mm)	130 lbs. (59 kg)
GR2BW-60†	2660	66⅞" (1680 mm)	154 lbs. (70 kg)
GR2BW-66*†	2920	72⅞" (1832 mm)	169 lbs. (77 kg)
GR2BW-72†	3185	78⅞" (1984 mm)	186 lbs. (84 kg)

▲ When no color is specified, *Designer* color inset panels will be black.

\* Indicates models that accommodate multiple food pans:  
 30" (762 mm) = 2 pans, 42" (1067 mm) = 3 pans, 54" (1372 mm) = 4 pans,  
 and 66" (1676 mm) = 5 pans.

† NSF requires units over 36" (914 mm) in width or weighing more than  
 80 lbs. (36 kg) to be either sealed, or raised on the installation surface with  
 the 4" (102 mm) legs included.

## DIMENSIONS

30⅞"-78⅞"W x 27"D (including breath protectors) x 19"H\*  
 (765-1984 x 686 x 483 mm).

Heated Surface: 23¾"-71¼"W x 21¾"D (603-1822 x 552 mm).

\* Add 3" (76 mm) to height when using 4" (102 mm) legs.

## VOLTAGE

GR2BW-24 & -30: 120 volts, 3-wire (uses NEMA 5-15P).<sup>▼</sup>

GR2BW-36 & -42: 120 volts, 3-wire (uses NEMA 5-15P,  
 NEMA 5-20P – Canada).<sup>▼</sup>

GR2BW-48 & -54: 120 volts, 3-wire (uses NEMA 5-20P).  
 Not available in 120V for Canada.<sup>▼</sup>

GR2BW-60, -66, & -72: 120/208 or 120/240 volts, single phase,  
 4-wire (uses NEMA L14-20P).

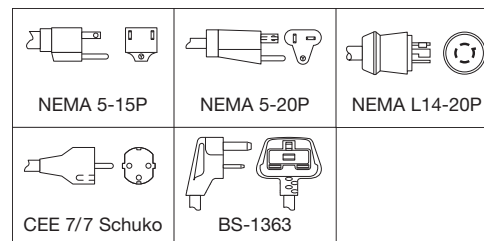
<sup>▼</sup> Also available in 120/208 volts or 120/240 volts, single phase, 4-wire  
 (uses NEMA L14-20P).

Export voltages available.

## CORD LOCATION

Center of bottom on control side.

## PLUG CONFIGURATIONS



## OPTIONS (NOT FOR RETROFIT)

- Unit and Inset Panel *Designer* Colors: Warm Red, Black, Gray Granite, White Granite, Navy Blue, Hunter Green
- Two acrylic side enclosures
- Infinite Control (GR2BW-24 through GR2BW-60 models only for top heat)
- 14" (356 mm) Breath Protector (In lieu of standard 7½" (191 mm))
- Halogen Bulbs in lieu of Standard Display Lights

## ACCESSORIES

- 4" (102 mm) *Designer* Legs (Standard on units GR2BW-42 and larger)
- Stainless Steel Food Pans
- Wire Trivets – Stainless Steel or Plated

## PRODUCT SPECS

### *Designer* Buffet Warmer

The *Designer* Buffet Warmer shall be a Glo-Ray® Model .... as manufactured by the Hatco Corporation, Milwaukee, WI 53234 U.S.A.

With 24/7 part and service assistance (U.S. and Canada only), the Warmer shall be rated at ....watts, ....volts, and be ....inches (millimeters) in overall width. It shall consist of a thermostatically-controlled heated base, *Designer* color inset panels, and a cord

with plug attached.

The Warmer includes infrared heat from above, breath protectors, and incandescent display lights.

The infrared heating element shall be tubular metal sheathed and the base shall be a blanket element.

Accessories shall include stainless steel food pans, wire trivets, and 4" *Designer* legs.

HATCO CORPORATION P.O. Box 340500 Milwaukee, WI 53234-0500 U.S.A. • (800) 558-0607 • (414) 671-6350  
 Fax (800) 543-7521 • Int'l. Fax (414) 671-3976 • www.hatcocorp.com • E-mail: equipsales@hatcocorp.com